

A Low Power Flash ADC using Single-Electron Transistor

Aarthy M, SriadibhatlaSridevi

Abstract: This paper proposes an analog-digital converter (ADC) using Single-electron transistor (SET). Single Electron Transistor is Nanodevice having a small quantum dot or island instead of the channel that works on the principle of Coulomb blockade which allows one electron tunneling at a time from source to drain terminal. SET operates at low voltage and consumes less power. The proposed Flash ADC consists of SET based priority encoder and comparator circuits. The proposed design offers large input/output voltage swing, ultra-low power, compact circuit block for ADC compared to SET/CMOS hybrid amplifier-based ADC. In this paper, we have designed a 4-bit and 8-bit Flash ADC using SET operating at room temperature and the performance estimation was performed by using the CADENCE VIRTUOSO simulator.

Index Terms – Single Electron Transistor, Coulomb blockade, Analog-Digital Converter, Priority Encode, Comparator.

I. INTRODUCTION

Miniaturization has brought today's electronic devices close to the size where quantum phenomena will dominate by changing the properties of the device. As CMOS technology nodes are scaling down, power consumption has become a primary concern for electronic system designs. Several low-power devices have been proposed to overcome this problem. One of the promising low-power devices is Single-Electron Transistor (SET) that can operate with low voltage at room temperature with only few electrons. These electrons are involved in the switching process, so SET suffers from less transconductance where we cannot achieve more gain [1,2]. The development of Ultra Low Power circuits promotes the analog-digital conversion (ADC) to achieve a direction of high speed and low power dissipation. This paper is about the applications of the nanoelectronic device, i.e. 'Single-electron transistor which is capable of controlling the transport of single electron from source to drain terminal and also provide on some essential device characteristics like Coulomb blockade. Single electron transistor exploits the quantum mechanical phenomenon of tunneling and it can perform as a switch or as an amplifier. Xiaobin Ouet *al.*[6] proposed two kinds of SET/MOS hybrid ADC and DAC circuits, which consist of SET, MOS transistors, and capacitors simulated using H-Spice simulator. Rathnakannan *al.*[7] proposed three methods of Analog to Digital Conversion techniques for Eight-bit operation using Complementary Single Electron Tunneling

Transistor, Periodic Symmetric Function, SET/MOS hybrid using Single Electron Transistor.

Choong Hyun Lee *et al.*[8] proposed Complementary single-electron transistor (SET)/CMOS hybrid amplifier based analog-to-digital converter with the combination of the amplification of SET current by MOSFETs and also suppress the Coulomb blockade oscillation current by increasing the island size, gate bias voltage and temperature. The conversion speed of ADC depends on the performance of the sample and hold block which could be improved by Hybrid SET a combination of SET and MOSFET, but the drawback is more power consumption [8].

Flash ADC requires a large number of comparators compared to other ADCs [9]. Hence, the increase in scaling, power consumption and cost of Flash ADC converters make the main trade-off for many applications-oriented. Rahul *et al.*[9] proposed the low power Flash ADC designed with less number of low power consumption comparators. Mizugaki *et al.*[10] introduced 4-bit flash ADC using single-electron signal modulator (SESM) with a capacitive voltage divider (CVD) also analyzed the characteristics of the CVD with stray capacitance. The signals from CVD are detected by SET and processed at quantizers as gray coded digital signals. In this paper, we proposed low power 4-bit and 8-bit flash ADC using a single gate single electron transistor operating with low voltage at room temperature.

II. BACKGROUND

SET is a metallic-oxide-semiconductor field-effect-transistor (MOSFET), but with a small conducting island between source tunnel junctions and drain tunnel junctions. For the tunnel junctions composing the SET shown in Fig. 1, the tunnel conductance is G_1 and G_2 , the source tunnel junction capacitance is C_{STJ} and drain tunnel junction capacitance C_{DTJ} , front gate capacitance C_1 and back gate capacitance is C_2 respectively. The drain, source, front gate and back gate voltage are V_D , V_S , V_{G1} , and V_{G2} , respectively. Both G_1 and G_2 should be much smaller than $1/R_Q$, for the proper operation of the SET. $R_Q = h/e^2 = 25.8k\Omega$ quantum resistance or quantum conductance ($G = 38.74\mu S$).

This tunneling effect can be detected by a tunnel junction formed by two metallic electrodes separated by an insulating barrier. These three terminal switching nano devices can transfer electrons from source to drain one by one. Fig 1 shows the schematic structure of SET.

Revised Manuscript Received on July 05, 2019

Aarthy M, Department Of Micro & Nano Electronics, SENSE, Vellore Institute of Technology, Vellore -632014, Tamil Nadu, India

SriadibhatlaSridevi, Department Of Micro & Nano Electronics SENSE, Vellore Institute of Technology, Vellore -632014, Tamil Nadu, India



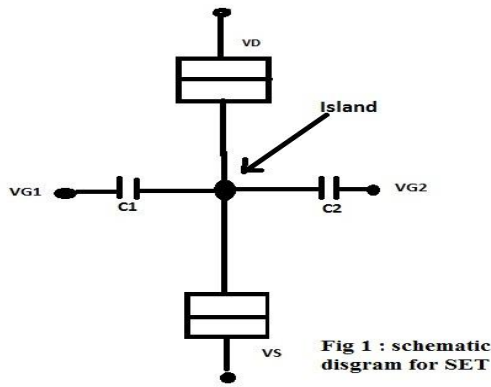


Fig1.SET schematic

Fig 2.(a) and (b) shows the I-V Characteristics of the SET. The zero part of the curve indicates coulomb blockade where no electron tunneling takes place and as the bias voltage is applied, the electrons tunnel through the island from the source to the drain terminal.

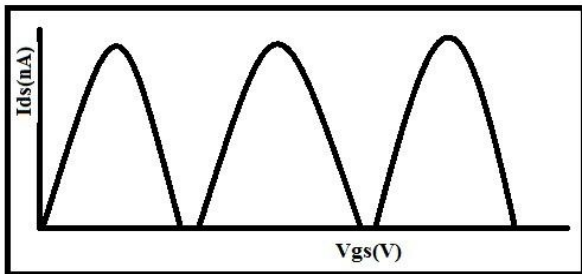


Fig2.(a)

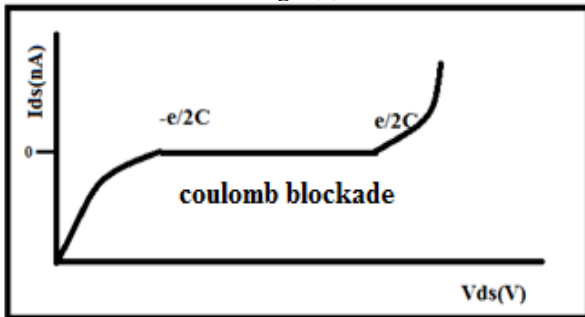


Fig2.(b)

Fig 2.(a) and (b) VI-Characteristic of single Electron transistor[SET]

In a single electron system, the tunnel junctions behave as a capacitor when an electron does not tunnel through them. Before any electron tunneling takes place, the island potential is given by equation(1) and (2) respectively.

$$V_{\text{island}} = \frac{C_G}{C_{\Sigma}} V_{GS} + \frac{C_{DTJ}}{C_{\Sigma}} V_{DS} \quad (1)$$

$$C_{\Sigma} = C_G + C_{STJ} + C_{DTJ} \quad (2)$$

If we increase the gate voltage V_{GS} , then V_{island} potential becomes higher than $e/2C_{\Sigma}$ so one electron can tunnel from the source terminal to the island. As a result potential of the island goes down by an amount of $e/2C_{\Sigma}$ and consequently, the voltage drop across the drain tunnel junction becomes higher than $e/2C_{\Sigma}$. Therefore one electron from the island can now tunnel out to the drain terminal and hence the original value of the island potential is once again

recovered to enable one more electron to tunnel from the source terminal.

By increasing the channel width and the length of both the front gate and the back gate of SET, the Coulomb blockade region becomes narrower and the oscillation period of the drain current also decreases[3]. Also, by increasing the oxide thickness of both the front gate and the back gate of SET causes the Coulomb blockade region to become broader and increases the oscillation period of the drain current[3]. For switching operation, the SET must be biased such that $|V_{DS}| < \frac{e}{(C_G + C_{STJ} + C_{DTJ})}$ and at very high V_{DS} such as when $|V_{DS}| > \frac{1.5e}{(C_G + C_{STJ} + C_{DTJ})}$ then V_{GS} almost loses its control over I_D and SET behaves like ordinary resistance.

III. FLASH ADC ARCHITECTURE

Analog to Digital Converters (ADCs) are the most vital devices, which convert analog signal to digital signal. ADCs are used virtually everywhere, where analog signals have to be processed, stored or transported in digital form as 0 and 1 and they are less susceptible to noise. The three fundamental ADC design parameters are speed, resolution and power dissipation. The conversion time is very fast for Flash ADC (or) parallel ADC than other types of ADCs such as Successive Approximation ADC, Dual Slope ADC and Sigma-Delta ADC. Flash ADCs consume more power, which could be overcome by using SET and are suitable for applications requiring huge bandwidth.

Fig 3 shows the block diagram of 4bit Flash ADC, which consists of 4:2 priority encoder, comparator and resistive ladder network. The analog signal is applied to the comparator wherein the voltage level is divided by using a $2K\Omega$ resistive ladder. The comparator output is connected to the priority encoder to obtain the digital output.

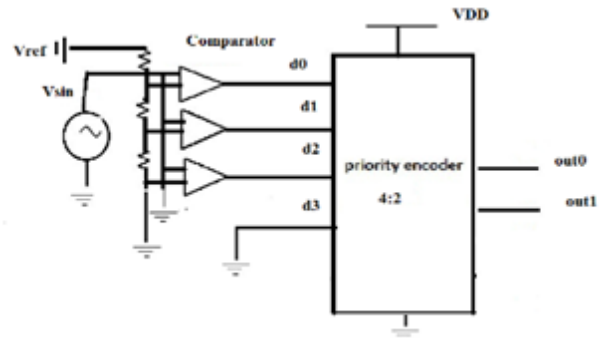


Fig 3. Block diagram of 4bit FLASH ADC

We designed and simulated the Flash ADC shown in Fig3 using SET based priority encoder and a comparator which operates at room temperature having lower power consumption and small gain error.

A. SET based 4-bit Priority Encoder Design

The priority encoder is used to compress the multiple binary inputs to less number of outputs. The design includes one inverter, one AND gate, three OR gate using single gate SET. Single gate SET works by applying input to gate1 and gate2 is grounded. The parameters used for modeling single gate SET $C_1=0.23aF$, $C_2=0$, $C_{STJ}=C_{DTJ}=0.06aF$, $R_{STJ}=R_{DTJ}=1M\Omega$ operating at room temperature. The



simulation waveform is shown in Fig 5. Whenever d3 bit is high and rest other bits d0, d1, and d2 can be either 0 or 1 the output of priority encoder Out0 Out1 is high 11.

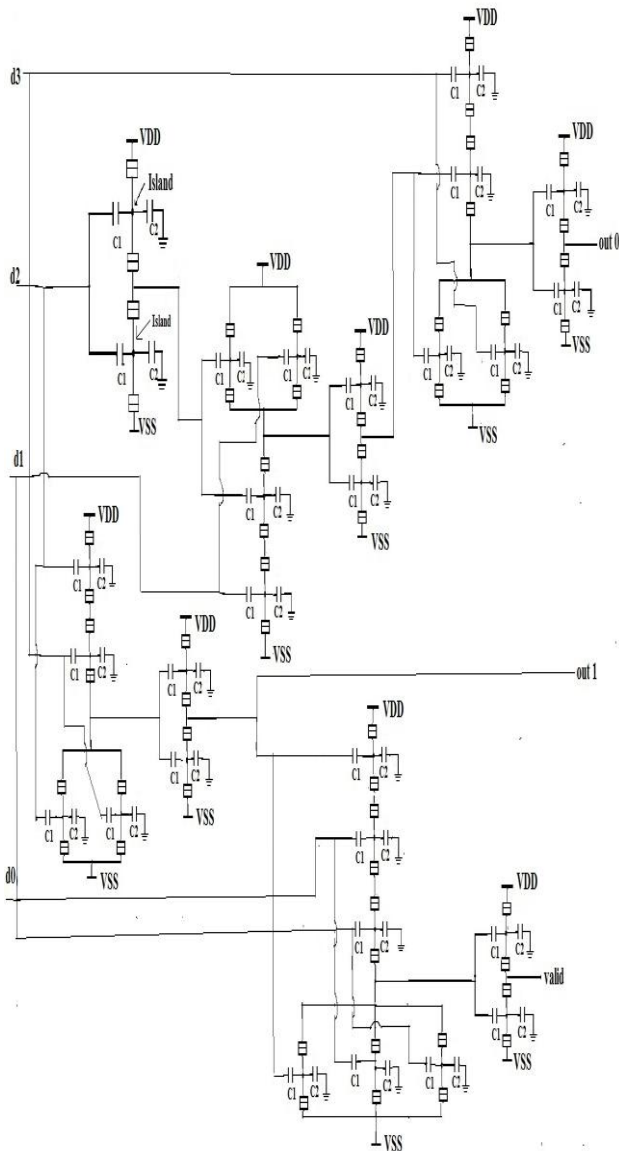


Fig 4. SET based 4-bit priority encoder schematic

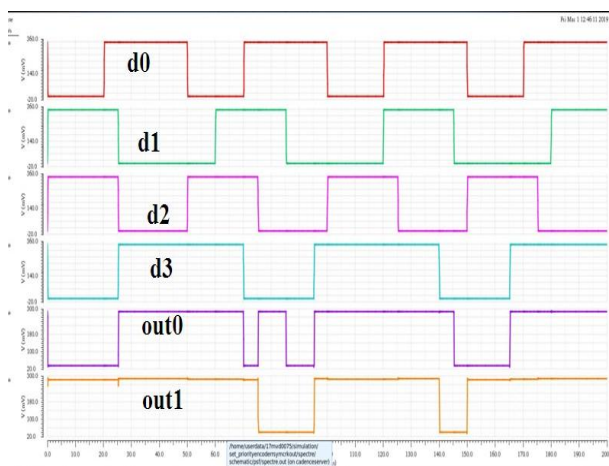


Fig 5. SET based 4-bit priority encoder output waveform

B. SET based 4- bit Flash ADC Design

Here we design the priority encoder using single gate SET and a comparator circuit operating at room temperature with a minimum voltage of 0.4V and improved switching activity because of the Coulomb blockade effect. This architecture uses a dual power supply technique of $V_{DD} = 400\text{mV}$, $V_{SS} = -100\text{mV}$ to obtain the proper logic 0 and logic 1 condition. The comparator output is fed to the priority encoder to achieve the proper digital output. The comparator output is C3, C2, C1, and C0. The simulation waveform of the comparator and 4-bit Flash ADC is shown in Fig 7 & 8.

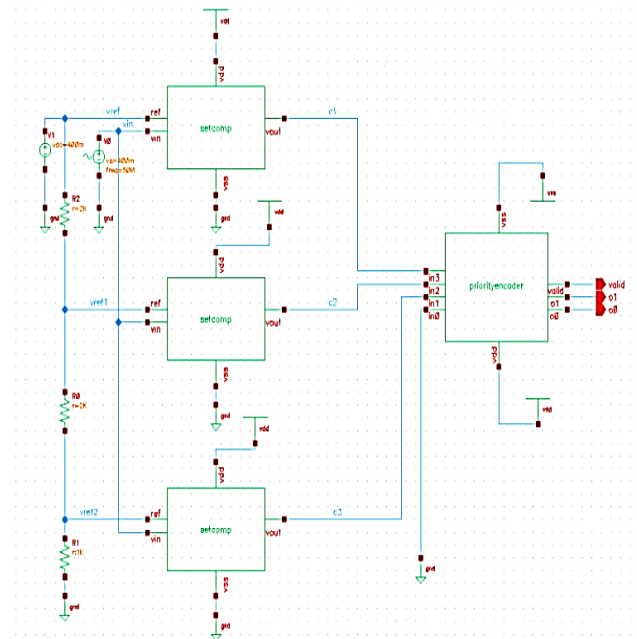


Fig 6. SET based 4-bit Flash ADC schematic

When $V_{in} > V_{ref}$ then comparator output becomes high (logic 1) else it is low (logic 0). So for supply voltage is 400mV, if V_{in} is 400mV and V_{ref} is 400mV, so comparator output C3 is high. Finally, the output of the priority encoder 00 01 is 11.

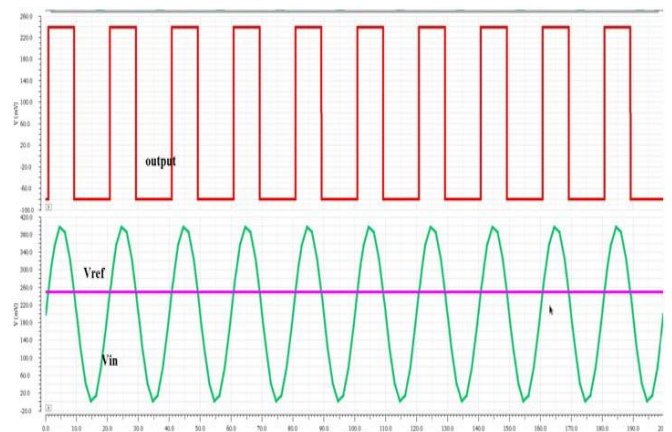


Fig 7. Comparator output

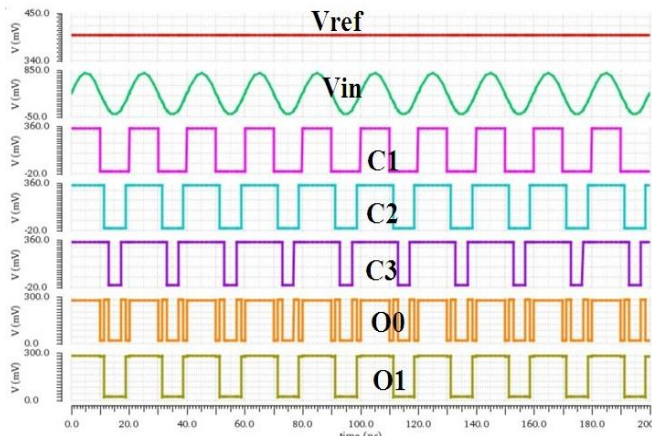


Fig8.SET based 4-bit Flash ADC output waveform

Similarly, we implemented 8-bit Flash ADC using single gate SET operating at room temperature. The simulation waveform of 8-bit priority encoder and 8-bit Flash ADC is shown in Fig 9 & 10.

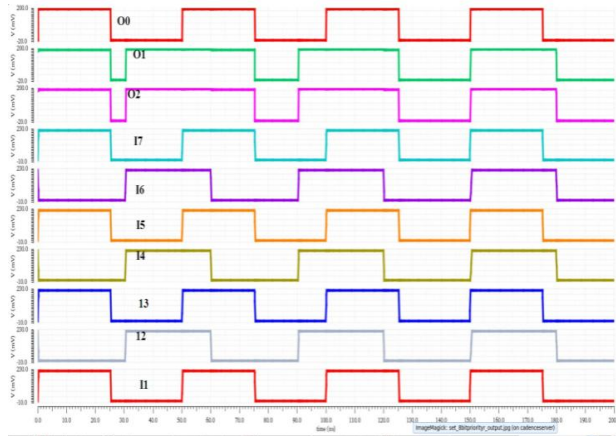


Fig 9.SET based 8-bit priority encoder output waveform

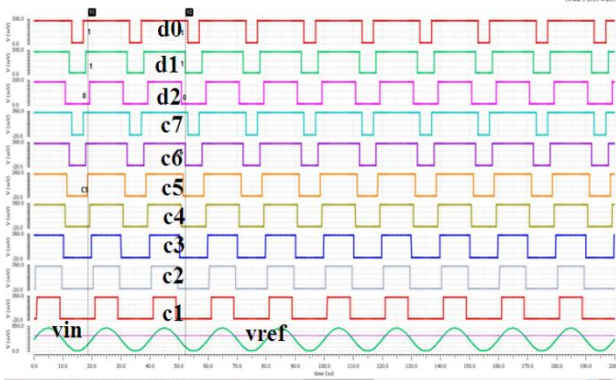


Fig10.8bit Flash ADC output waveform

IV. PERFORMANCE ESTIMATION

ADC output is divided into 2^N uniform steps, each with width Δ . Any variation from the ideal step width is differential non-linearity (DNL) measured vertically (% or LSB). Where $1\text{LSB} = V_{\text{ref}}/2^N = 400\text{mV}/2^2 = 100\text{mV}$. The measure of how closely the ADC output matches its ideal response is Integral non-linearity (INL) measured at each vertical jump (% or LSB). Fig 11 shows the INL and DNL of the proposed set based ADC, respectively. The maximum INL obtained is 0.3LSB and DNL is 0.5LSB. Table I shows the verification of proposed SET based Flash ADC with different parameters.

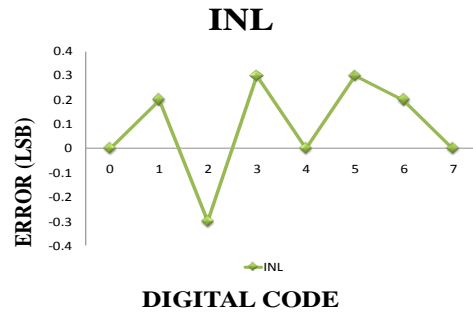
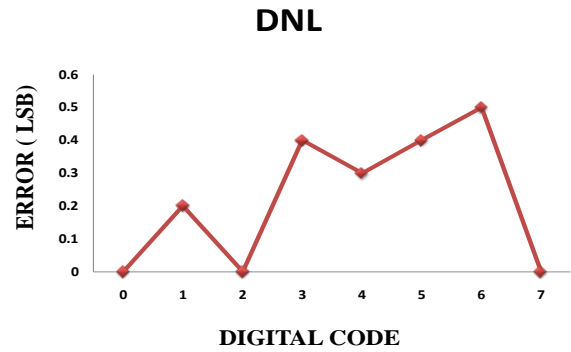


Fig.11 INL, DNL

Parameters	Existing model[8]	Proposed Model
Resolution	4bit	8bit
Supply voltage	3V	0.4V
Input range	0V-5V	0.2-0.4V
DNL	$\pm 0.25\text{LSB}$	$\pm 0.5\text{LSB}$
INL	$\pm 0.25\text{LSB}$	$\pm 0.3\text{LSB}$
Power dissipation	6.2uW	2.56nW
Gain error	0.5%	0.2%
Temperature	77 K	300 K

Table I. Performance Comparison of various parameters of SET based Flash ADC

V. CONCLUSION

In this paper, we examined Flash ADC design using SET-based priority encoder and comparator. The proposed Flash ADC operates at room temperature which is achieved by adequately utilizing the Coulomb blockade effect of SET, with appropriate selection of gate capacitance and tunnel junction capacitance. Our result shows compact ADC



circuit design, which exhibits large input-output voltage swing, low power and small gain error. This work could be extended for further optimization in terms of power and speed by using double gate SET and Hybrid SET a combination SET and MOSFET.

REFERENCES

1. K.K. Likharev, "Single-electron devices and their applications," Proc.IEEE, vol. 87, no. 4, pp. 606-632, Apr.1999.
2. S. Mahapatra, V. Vaish, C. Wasshuber, K. Banerjee, and A. M. Ionescu, "Analytical Modeling of Single Electron Transistor for Hybrid CMOS SET Analog IC Design," IEEE Transaction Electron Devices, vol. 51, no. 11, pp. 1772-1782, Nov.2004.
3. KhadijehFeizi, Saeed Haji Nasiri, "DC Characteristic Analysis of Single-Electron Transistor Based on MIB Model,"2010International Conference on Nanotechnology and Biosensors IPCBEE vol.2 (2011), Singapore.
4. DaeHwanKim, suk-Kang sung, KyungRokKim, jongduck lee, "single-electron transistors based on gate-induced si island for the single-electron logic application," IEEE transactions on nanotechnology, vol. 1, no. 4, December 2002
5. Hu Chaohong, S.D.Cotofana, "Analog-to-digital converter based on single-electron tunneling transistors," IEEEtransactions on very large scale integration (VLSI) systems, vol. 12, no. 11, November 2004.
6. XiaobinOu, Nan-Jian Wu, "Analog-digital and digital-analog converters using single-electron and mos transistors," IEEE transactions on nanotechnology, vol. 4, no. 6, November 2005.
7. K.Rathnakannan, P. VanajaRanjan, "Performance analysis of nanoelectronic single electron transistor based 8-bit a/d converters,"International Journal of Engineering and Technology, Vol. 5, No.1, 2008.
8. Choong Hyun Lee, Se Woon Kim, Jang Uk Lee, Seung Hwan Seo, Gu-Cheol Kang, Kang Sup Roh, Kwan Young Kim, Soon Young Lee, Dong Myong Kim, and Dae Hwan Kim, "Design of a Robust Analog-to-Digital Converter Based on Complementary SET/CMOS Hybrid Amplifier," IEEE transactions on nanotechnology, vol. 6, no. 6, November 2007.
9. P.V. Rahul, Anusha A.Kulkarni, Sohail Sankanur, M.Ragavendra, "Reduced comparators for low power flash ADC using tsmc018," in 2017 International conference on Microelectronic Devices, Circuits and Systems (ICMDCS)', IEEE, pp. 1-5.
10. Mizugaki, Y. & Delsing, P, "Single-electron signal modulator designed for a flash analog-to-digital converter," Japanese Journal of Applied Physics 40(10R), 6157.

AUTHORS PROFILE



Aarthy Mis currently working as Assistant Professor at VIT University, Vellore. She has completed her M.E in VLSI design from Anna University, Chennai in 2012. She has completed her B.E in Electronics and Communication Engineering from Anna University, Chennai in 2010. Her research interests include Digital IC design, Analog IC design, low power Nano IC design.



Sriadibhatla Sridevi is currently working as Associate Professor at VIT University, Vellore. She has completed her Ph.D. in VLSI Design from Andhra University, Visakhapatnam in 2013. She has completed her B.Tech and M.Tech in Electronics and Communication Engineering from JNTU, Hyderabad. Her research interest includes Low power Digital design, low power memory

design.