

Design and Analysis of Car Parking Slot Indicator

Uppula Keerthana, S. Umamaheswar

Abstract: Present days vehicle leaving has turned into a noteworthy issue in urban zones with absence of leaving offices and expanded measure of vehicles, because of this drivers who are scanning for parking spot they were wandering around the city in pinnacle hours. This causes traffic, exercise in futility and cash. To keep away from every one of these issues an outcome is created utilizing sensor circuit, RFID and GSM. RFID is utilized to identify the vehicle subtleties, IR sensor is utilized to discover the nearness of the vehicle and all subtleties are gotten to remotely through GSM. This framework encourages driver to discover parking spot accessibility with the assistance of GSM innovation by giving leaving free space data and keeps up the database of the left vehicles. Drivers can check whether the openings are free for stopping ahead of time by sending code as sms to a number which is accessible in the site of that specific shopping centers, emergency clinics, theaters and so forth., at that point drivers get an answer as sms contains parking spot accessibility data. In the event that driver need to book the uninhibitedly accessible space he can book by sending another code which is accessible in the site as sms. Notwithstanding the stopping there are three highlights included, they are Theft the board likewise included for example at the point when vehicles want leaving then every single vehicle number plate is checked with burglary list in the database utilizing RFID, on the off chance that it is in robbery list, at that point a message is sent to the administration. At the point when fire mishap happens all of a sudden because of any causes like short out and so on, naturally water will be sprinkled with the goal that harm of the vehicles can be maintained a strategic distance from. As per the power of light the lights will be ON or OFF inside the stopping openings. This spares control utilization. This model created for the stopping framework with less human collaboration, expands adaptability.

Index Terms : GSM, Slot Indicator, RFID

I. INTRODUCTION

An Automatic car parking system is a smart parking system which will assume a significant job to decrease traffic in the city. Vehicles left insensitively in as far as possible the space, So with a brilliant leaving parking this issues can be explained. Additionally, this sort of parking will lessen the manual work and spare time. Such a parking can be utilized in a huge multistory/staggered assembling.

Because of fast increment in the vehicles there exists an issue for leaving of vehicles. It prompts traffic blockage and furthermore contamination. So we have a need to keep up the vehicle leave the board so as to lessen the wastage of time. On the off chance that we find in the bigger urban communities when we visit the shopping centers or visitor places or some other business territories there emerges an issue for leaving of our vehicle.

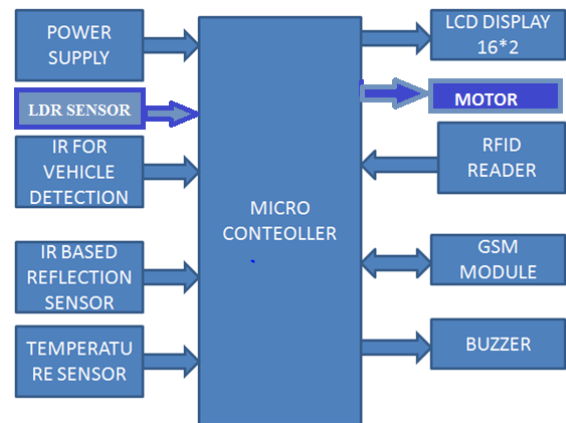
Revised Manuscript Received on July 05, 2019.

Uppula Keerthana¹, ¹student, Mtech, Embedded Systems, S R Engineering College, India

S. Umamaheswar, ²associate Professor, Department Of Ece, S R Engineering College, India

We have such a large number of techniques for stopping systems, for example, utilizing WSN, RFID strategies. In any case, the significant disadvantage of those systems is they help us to locate the accessible spaces for stopping however not the careful area of those spaces. It very well may be overwhelmed by utilizing Automatic Car Parking System utilizing IR Sensors.

Block diagram



Block diagram

II. BACKGROUND

B. Ramya Sri, A. Monika, et al.,(2017)

In this paper we have intended for vehicle leaving and the primary point of this paper is to atomize the vehicle leave for permitting the vehicles into the recreation center. It can give the careful area of the free space where the vehicles must be left. Here we utilize the microcontroller AT89C52 and the IR Sensors to recognize the vehicles entering in to the recreation center. LCD is given to show the data about the all out no of vehicles can be left and the spot free for leaving by utilizing Embedded C language. This can give the accurate area of the free space where the vehicles must be left.

Masiha Sabnam, Mousumi Das, et al.,(2016)

This paper endeavors to audit comprehensively actualized stopping the board techniques utilizing various advancements. Further by looking at an assortment of stopping the board arrangement from around the globe this paper means to analyze the move in focal point of present day stopping the executives systems. The inspiration for this examination paper is to distinguish the positive purposes of the imaginative methodologies, which will help in planning a programmed vehicle leaving framework.

III. SYSTEM OVERVIEW

Power supply:

In this system we are utilizing 5V power supply for microcontroller of Transmitter segment just as recipient area. We use rectifiers for changing over the A.C. into D.C and a step down transformer to venture down the voltage.

RFID:

The RFID is going to possess a peruser and also a tag. The customer that has actually formally gotten will definitely be actually provided a tag/card. The memory card has to be actually restore along with a certain total to ensure at the leave door, when the customer wipe the memory card the money will certainly be actually as a result subtracted and also the auto will certainly be actually allowed to leave behind the auto parking blotch, without that memory card the lorry will not be actually allowed to place the car park blotch.

IR sensor & Photo diode:

IR sensor and photograph diode is utilized for identifying vehicle and open door for leaving zone.

GSM Technology

The System is likewise coordinated with GSM SIM 900 Model controller which will react to a client's SMS demand (Ex: A message AVAILABLE_PARKING_SLOTS sent to GSM number : 9985123456) for the unfilled stopping spaces by discovering the vacant stopping openings through the Controller with the assistance of the IR Sensors fitted at the stopping spaces.

Microcontroller Section:

This field mold and mildews the demand unit of the entire task. This area basically is composed of a Microcontroller alongside its personal applicable tools like Crystal together with capacitors, Reset devices, Situate resistors (if essential, etc. The Microcontroller mold and mildews the facility of the undertaking because of the simple fact that it moderates the tools being really interfaced along with speaks along with the gadgets depending on to the device being in fact created.

Display Section of LCD :

This location is actually generally planned to turn up the condition of the venture. This venture takes advantage of Fluid Crystal Show to show/brief for important records.

Temperature sensor:

Thermistors are actually a temp picking up create. It is actually made use of to notice the temperature level. In this particular task through relies on the market value of temp the exhaust enthusiast will certainly jog.

Buzzer Section:

A. This region is actually basically planned to turn up the standing of the endeavor. This endeavor uses Fluid Crystal Feature to show/brief for crucial records.

B. Motor

DC electric motors were actually the key sort of power motor typically utilized, as they may be controlled arising from existing direct-current illumination installations electric energy maker unit. A DC motor's rate may be managed over a variety, taking advantage of either an adjustable source current or even through transforming the top quality of existing in its own area windings. Little bit of DC motors are actually used in mechanisms, playthings, as well as equipments.

LDR sensor

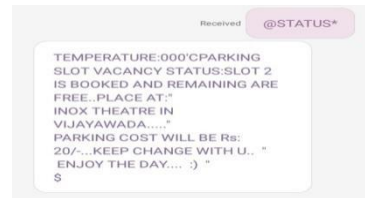
A LDR is a segment that has a (variable) opposition that changes with the light force that falls upon it. This enables them to be utilized in light detecting circuits.

Programming Software

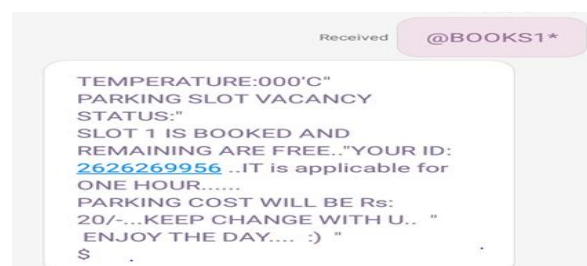
KEIL Software

It is actually feasible to help make the resource reports in a material resource, for instance, Note pad, manage the Compiler on every C resource documentation, showing a run-through of commands, manage the Assembler on every Assembler resource documentation, finding out one more run-through of managements, manage either the Collection Supervisor or even Linker (once again signifying a review of commands) finally managing the Object-HEX Converter to alter over the Linker return document to an Intel Hex Report. When that has actually been actually ended up the Hex Documents may be downloaded and install to the unbiased tools and also taken care of. Alternatively KEIL may be made use of to create resource documents; subsequently acquire, relationship as well as covert taking advantage of options prepared along with a straightforward to use User Interface last but not least reenact or even carry out repairing on the tools along with accessibility to C aspects as well as mind. Other than if you require to use the costs on the purchase line, the selection is actually crystal clear. KEIL Substantially strengthens the method towards creating as well as evaluating a dental implanted treatment.

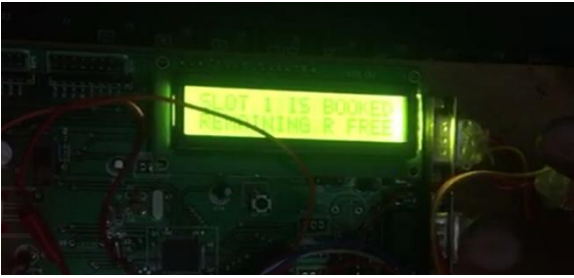
IV. RESULTS AND DISCUSSION



When driver send the code available in the particular website like malls, hospitals, theatres etc then parking availability information will get as sms.



Design and Analysis of Car Parking Slot Indicator



When driver want to book the slot he can send sms and book the slot.

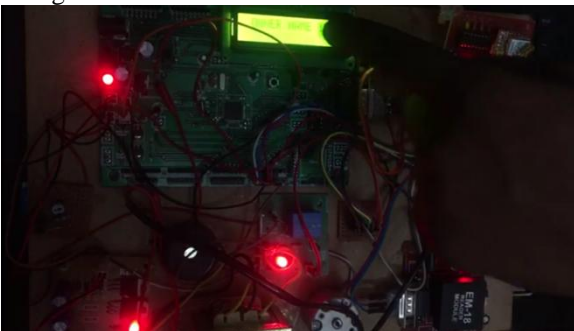


Always monitor the temperature and display whenever the temperature is higher than range automatically water motor will be ON.



THEFT VEHICLE DETECTED
AP09 BJ 8734..OWNER NAME IS
N.B.NAIDU..DETECTED AT INOX
THEATRE IN VIJAYAWADA.....

Whenever a vehicle comes to parking the vehicle will be scanned using RFID for theft vehicle detection. If that vehicle number matched with theft vehicles list message will be send to management.



Based on intensity of light the lights will be ON and OFF in parking slots.

V. CONCLUSION

This paper "Parking Slot Indicator" has actually been actually properly made as well as assessed. Combining attributes of all the equipment elements utilized have actually established it. Existence of every component has actually

been actually rationalized out as well as put properly thereby adding to the most effective working of the device. Also, making use of extremely sophisticated IC's and also with help from increasing modern technology the job has actually been actually efficiently applied.

REFERENCES

1. B. Ramya Sri, A. Monika, "Automatic Car Parking System using IR Sensors", International Journal of Engineering Science and Computing, April 2017.
2. Masiha Sabnam, Mousumi Das, "Automatic Car Parking System", ADBU-Journal of Engineering Technology,
3. D.Sathya, S.Kumaresan, " SMART-PARKING SYSTEM BASED", International Journal of Scientific & Engineering Research Volume 8, Issue 5, May-2017 116 ISSN 2229-5518.
4. Mohd.Mazidi, 8051-MICROCONTROLLER AND EMBEDDED SYSTEM.
5. Kenneth, J.Ayala, The 8051 Micro controller Architecture, Programming & Applications
6. Ramesh S.Gaonkar Micro processor Architecture, Programming & Applications`